

Material & finish

SHELL: ABS BLACK

INSULATOR PBT

PIN CONTACT: PHOSPHOR BRONZE, GOLD FLASH

CURRENT RATING: 5 Amp

DIELECTRIC STRENGTH: 1000V for one minute

INSULATOR RESISTANCE: 1000MΩ Min. (at 500V DC)

TEMPERATURE: -55°C to +105°C



Unit
MM

Scale SCALE

Position

Rev.	Modifications	Date	Name	Drawing no.

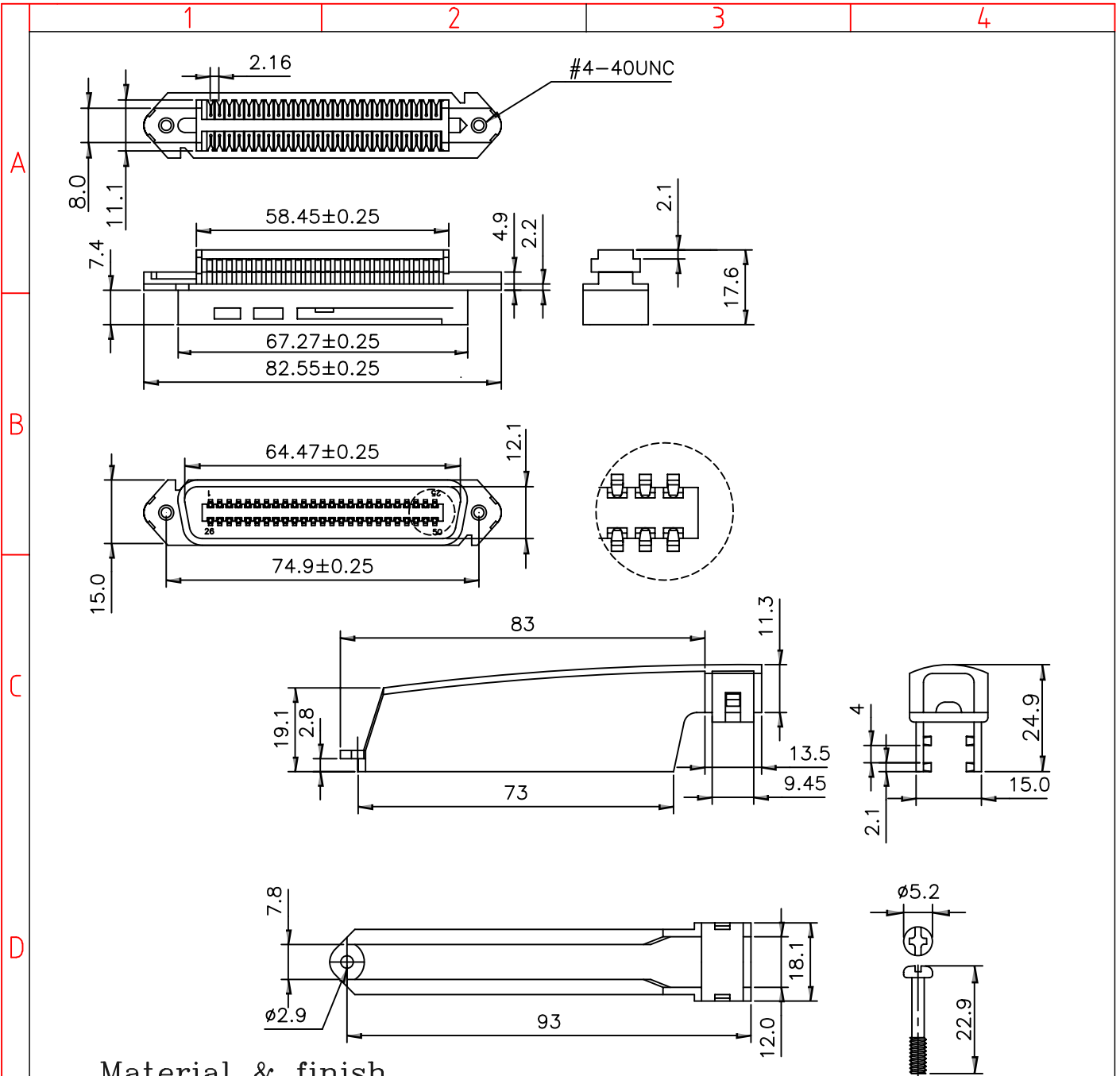
Drawn	Date	Name
Check.		
Appr.		

UNLESS OTHERWISE SPECIFIED TOLERANCE	
Dimension Range	Tolerance
X.X	± 0,20
X.XX	± 0,15
X.XXX	± 0,10
ANGLE	± 1°

TITLE
TELCO 50 PIN, IDC,
FEMALE, RIGHT ANGLE

Part No.: TELCOF01

Sheet



Material & finish

SHELL: ABS BLACK

INSULATOR PBT

PIN CONTACT: PHOSPHOR BRONZE, GOLD FLASH

CURRENT RATING: 5 Amp

DIELECTRIC STRENGTH: 1000V for one minute

INSULATOR RESISTANCE: 1000MΩ Min. (at 500V DC)

TEMPERATURE: -55°C to +105°C

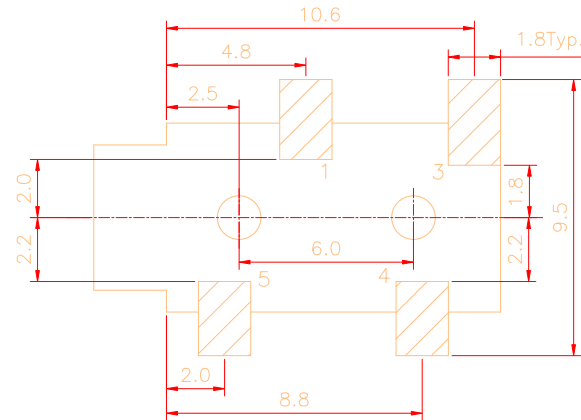
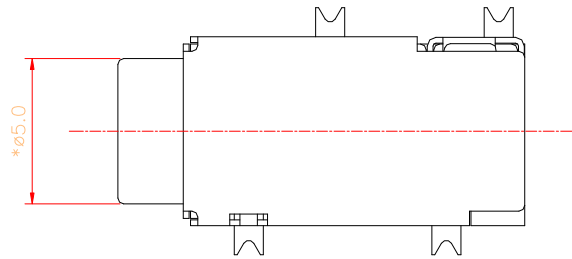
insilco				Unit MM	Scale SCALE	Position
				Drawn	UNLESS OTHERWISE SPECIFIED TOLERANCE	
				Date	Dimension Range	Tolerance
				Name	X.X	± 0,20
				DATE	X.XX	± 0,15
				NAME	X.XXX	± 0,10
				Check.	ANGLE	± 1°
				Appr.	TITLE TELCO 50 PIN, IDC, MALE, RIGHT ANGLE	
				Part No.: TELCOM01		
Rev.	Modifications	Date	Name	Drawing no.	Sheet	

RoHS

THIS IS A RoHS COMPLIANT COMPONENT/PRODUCT.

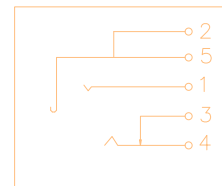
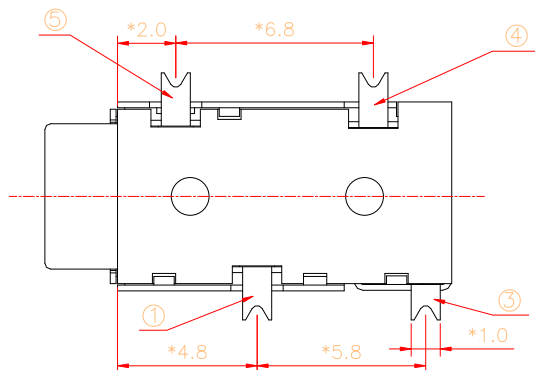
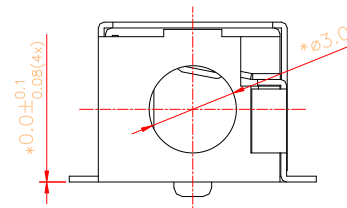
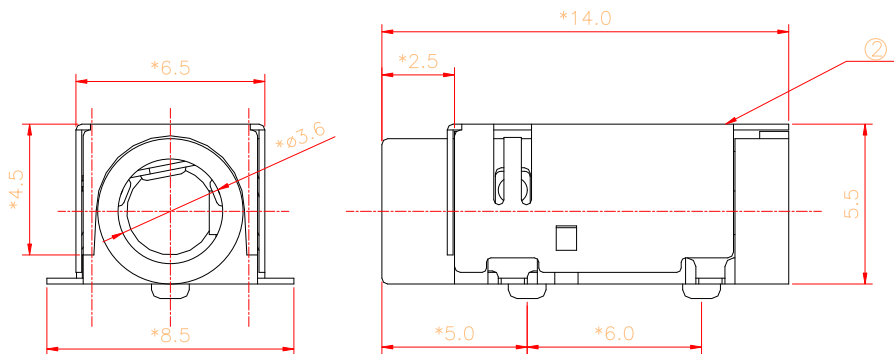
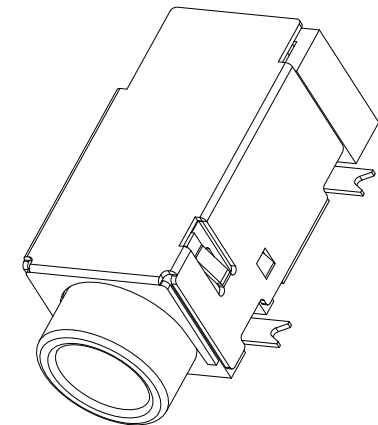
NOTES

- 1.Housing :LCP,Black,UL94-V0.
- 2.Cover :SUS304 3/4H.
- 3.Contact :Pin1&5 :C5210 R-H
Pin4 :C5210 S-H
Pin3 :C2680 R-H
- Plating :overall Ni under plated and gold flash
- 4.Coplanarity :0.10mm MAX.



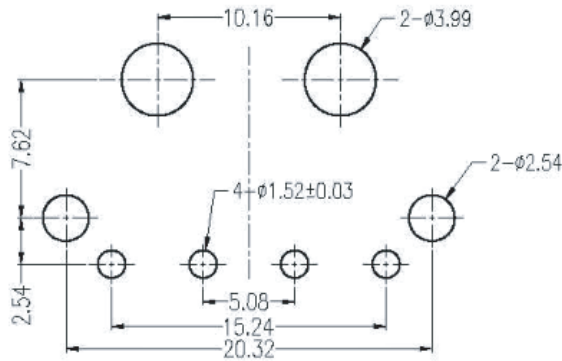
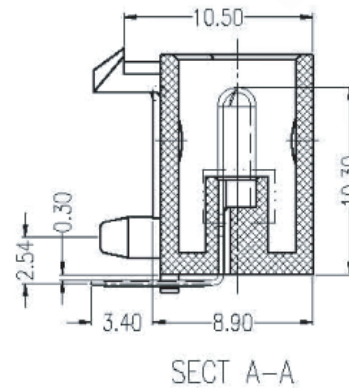
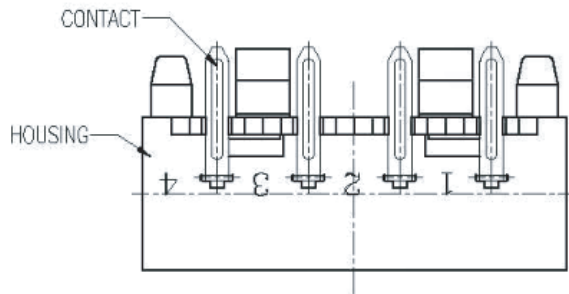
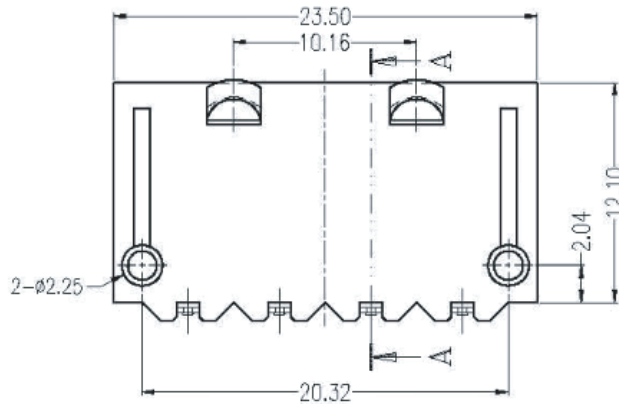
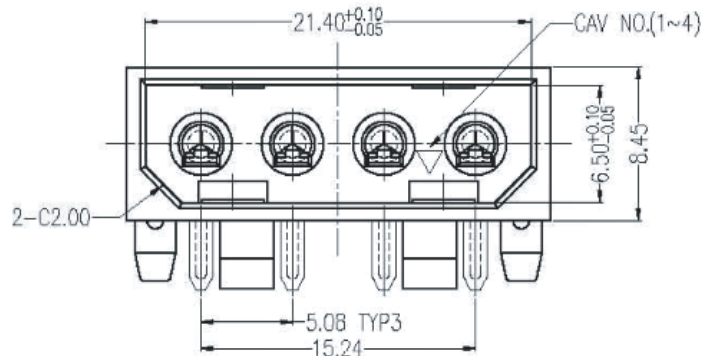
RECOMMENDED PCB LAYOUT

Tolerance : ±0.05



SCHEMATIC

	UNLESS OTHERWISE SPECIFIED TOLERANCE		SCALE	CHECKED
	Dimension Range	Tolerance	4/1	APPROVED
	X	±0.20	UNIT	mm
	X.X	±0.15	SIZE	A4
	X.XX	±0.10	ANGLE	±5°
Material/Notes		NAME		
SEE NOTES		MINI ATURE JACK		
Finish/Plated		PART NO.	OMJ0A01	REV.
SEE NOTES		DOC. NO.		0



P C B Layout

Notes:

Material

Housing: Nylon66, UL94V-2, transparent color

Contacts: brass

Plating: Tin over Nickel

Electrical Specification

Operating Voltage: max. 250 VAC

Current Rating: 5,0 A#

Contact Resistance: max 10 mOhm

Insulation Resistance: min. 1000 MOhm

Dielectric Withstanding: 1.500 VAC

Environmental

Operating Temperature: -40...+80 °C

	UNLESS OTHERWISE SPECIFIED TOLERANCE		SCALE	CHECKED	
	Dimension Range	Tolerance	UNIT	APPROVED	
	X.X	± 0.20	mm	Pardal	
	X.XX	± 0.15			
X.XXX	± 0.10	SIZE	A3	SHEET	1/1
ANGLE	± 1°				
Material/Plated/Notes	NAME				
see note	ATA HDD Power Jack 4 pin				
Tooling No.	PART NO.	ATA4JH		REV.	
	DOC. NO.			A	