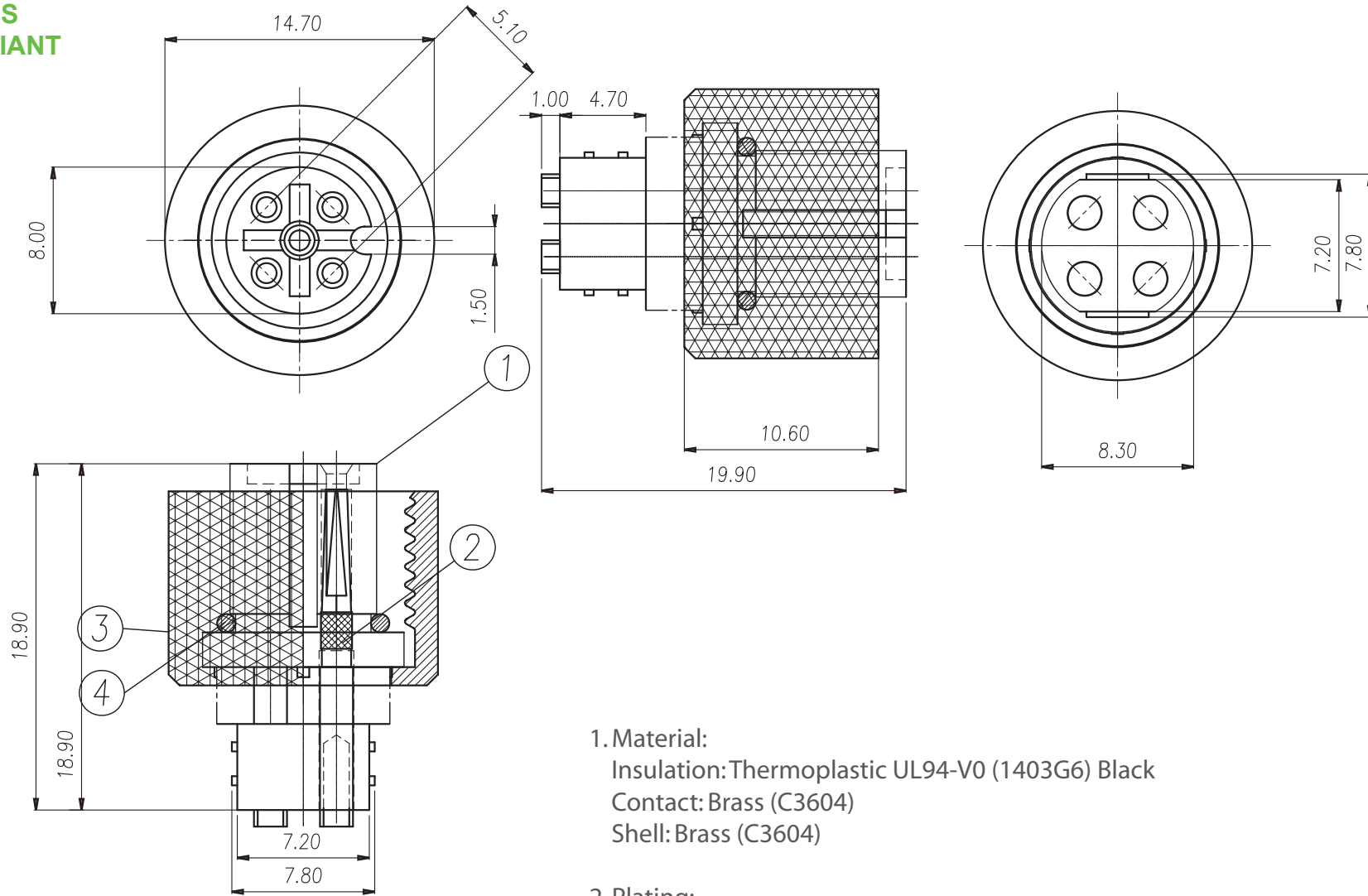


**RoHS
COMPLIANT**



1. Material:

Insulation: Thermoplastic UL94-V0 (1403G6) Black
 Contact: Brass (C3604)
 Shell: Brass (C3604)

2. Plating:

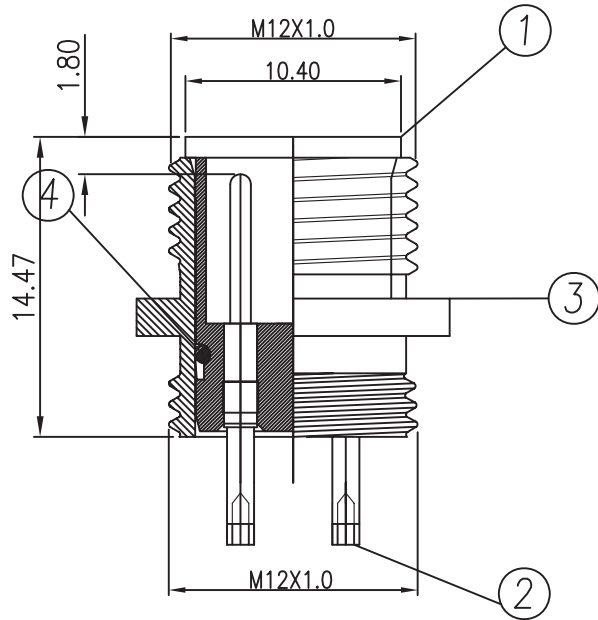
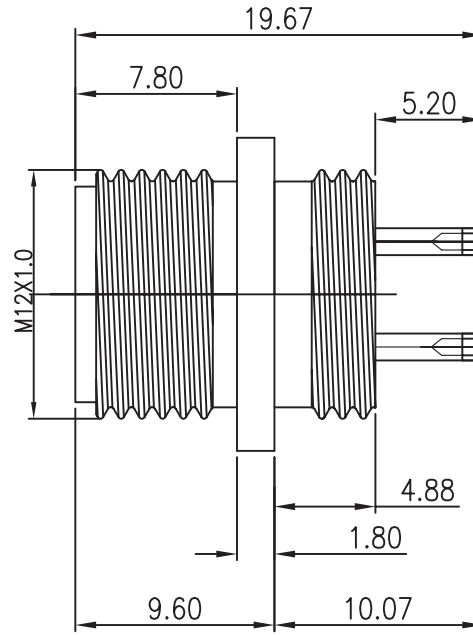
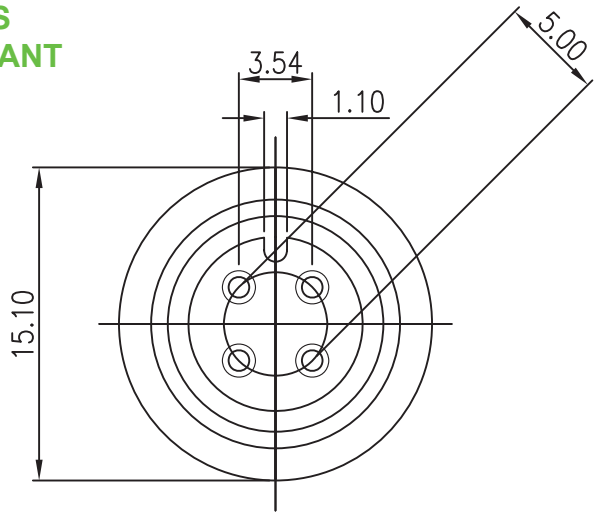
Contact: Gold 10μ"
 Shell: Ni 100μ"

3. Specification:

Current: 2 A
 Operating Temp.: -20°C...105°C
 Insulation Resistance: 1.000 MΩ min.
 Dielectric Strength: 500 V AC min.

INELCO circon	UNLESS OTHERWISE SPECIFIED TOLERANCE		SCALE	CHECKED	
	Dimension Range	Tolerance	UNIT	APPROVED Pardal	
	X.X	± 0.20	mm		
	X.XX	± 0.15			
	X.XXX	± 0.10	SIZE	A3	SHEET 1/1
	ANGLE	± 1°			
Material/Plated/Notes		NAME			
see note		M12, 4 pin, female, solder type			
Tooling No.		PART NO. M124FS1		REV. A	
		DOC. NO.			

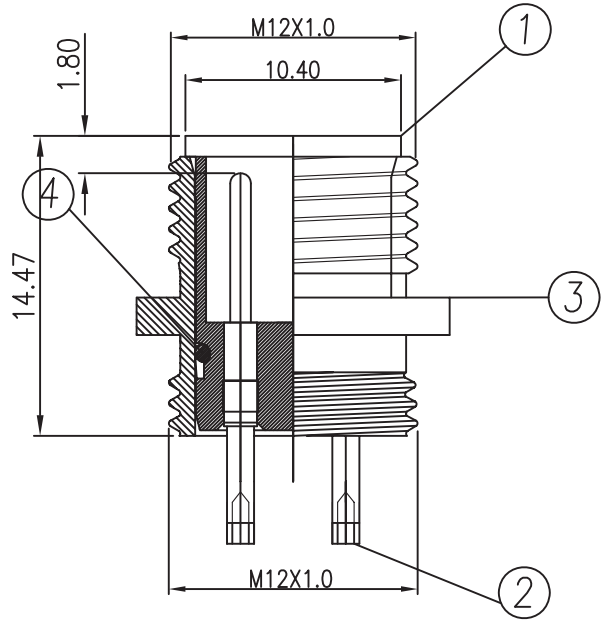
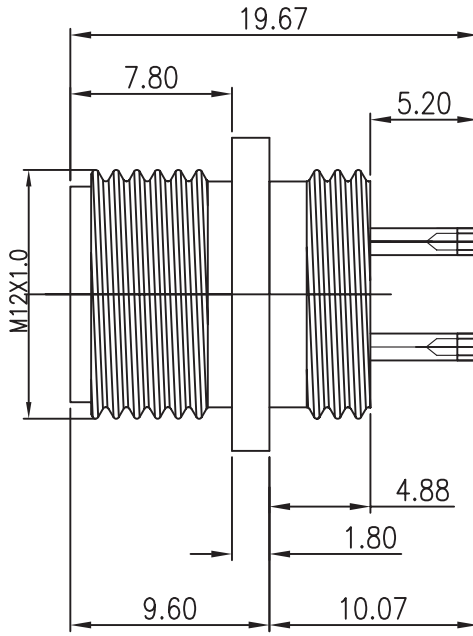
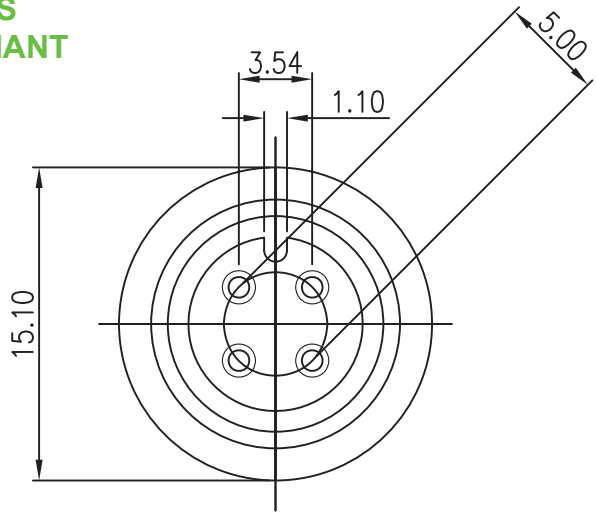
RoHS
COMPLIANT



1. Material:
Insulation: Thermoplastic UL94-V0 (1403G6) Black
Contact: Brass (C3604)
Shell: Brass (C3604)
2. Plating:
Contact: Gold 10 μ "
Shell: Ni 100 μ "
3. Specification:
Current: 2 A
Operating Temp.: -20°C...105°C
Insulation Resistance: 1.000 M Ω min.
Dielectric Strength: 500 V AC min.

INELCO circon	UNLESS OTHERWISE SPECIFIED TOLERANCE		SCALE	CHECKED
	Dimension Range	Tolerance	UNIT	APPROVED
	X.X	± 0.20	mm	Pardal
	X.XX	± 0.15		
X.XXX	± 0.10	SIZE	A3	
	ANGLE	$\pm 1^\circ$		SHEET
Material/Plated/Notes		NAME		
see note		M12, 4 pin, male, solder type		
Tooling No.	PART NO.	M124MS1		REV.
	DOC. NO.			A

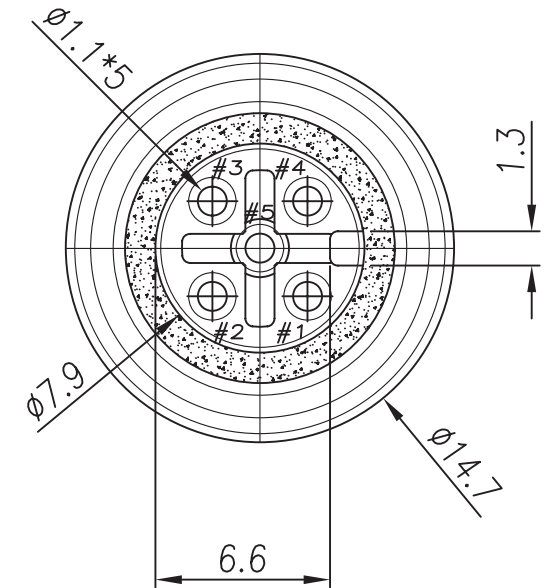
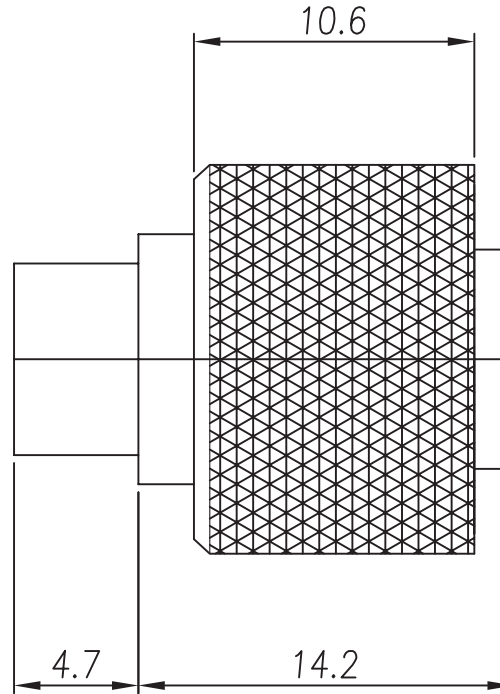
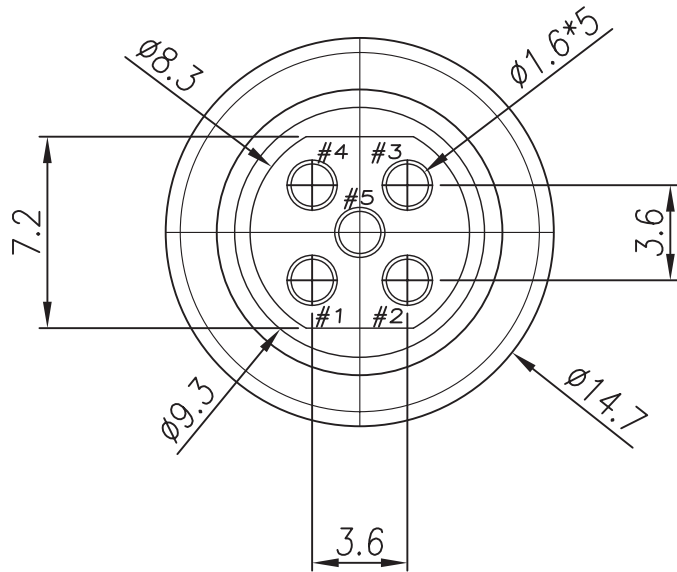
RoHS
COMPLIANT



1. Material:
Insulation: Thermoplastic UL94-V0 (1403G6) Black
Contact: Brass (C3604)
Shell: Brass (C3604)
2. Plating:
Contact: Gold 10 μ "
Shell: Ni 100 μ "
3. Specification:
Current: 2 A
Operating Temp.: -20°C...105°C
Insulation Resistance: 1.000 M Ω min.
Dielectric Strength: 500 V AC min.

INELCO circon	UNLESS OTHERWISE SPECIFIED TOLERANCE		SCALE	CHECKED
	Dimension Range	Tolerance	UNIT	APPROVED
	X.X	± 0.20	mm	Pardal
	X.XX	± 0.15		
X.XXX	± 0.10	SIZE	A3	
ANGLE	$\pm 1^\circ$			
Material/Plated/Notes	NAME			
see note	M12, 4 pin, male, panel solder type			
Tooling No.	PART NO.	M124MSP		REV.
	DOC. NO.			A

**RoHS
COMPLIANT**



1. Material:

Insulation: Thermoplastic UL94-V0 (1403G6) Black

Contact: Brass (C3604)

Shell: Brass (C3604)

2. Plating:

Contact: Gold 10 μ "

Shell: Ni 100 μ "

3. Specification:

Current: 2 A

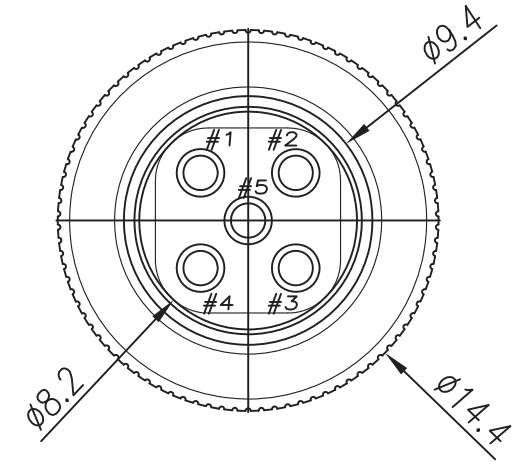
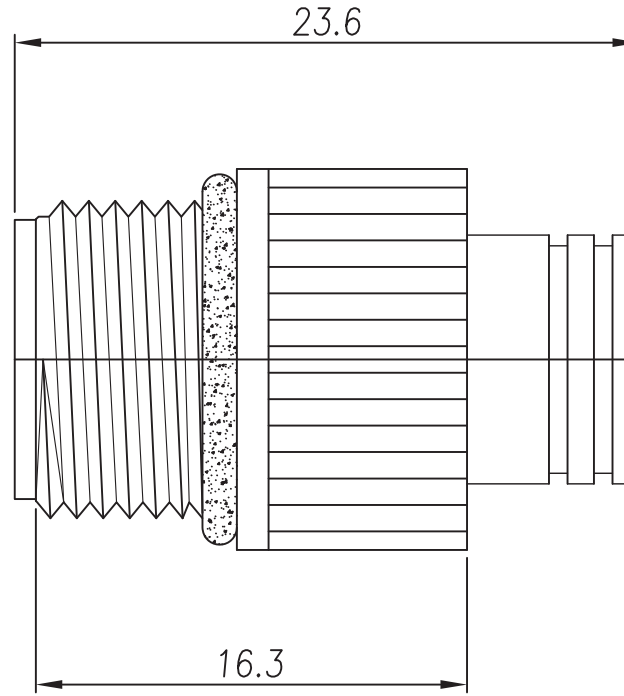
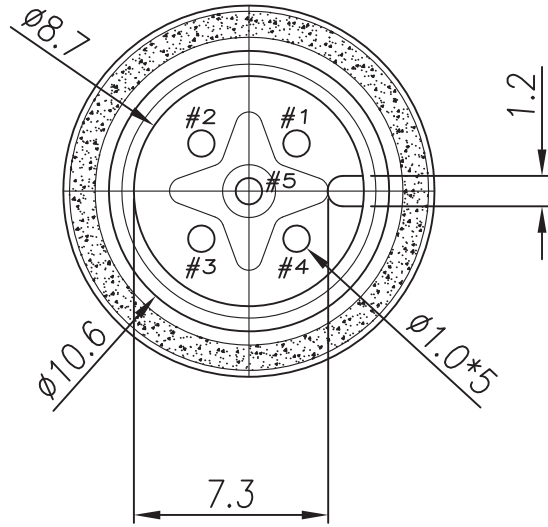
Operating Temp.: -20°C...105°C

Insulation Resistance: 1.000 M Ω min.

Dielectric Strength: 500 V AC min.

INELCO circon	UNLESS OTHERWISE SPECIFIED TOLERANCE		SCALE	CHECKED
	Dimension Range	Tolerance	UNIT	APPROVED
	X.X	± 0.20	mm	Pardal
	X.XX	± 0.15	SIZE	A3
X.XXX	± 0.10	ANGLE	$\pm 1^\circ$	SHEET 1/1
Material/Plated/Notes		NAME		
see note		M12, 5 pin, female, solder type		
Tooling No.	PART NO.	M125FS1		REV.
	DOC. NO.			A

RoHS
COMPLIANT



1. Material:

Insulation: Thermoplastic UL94-V0 (1403G6) Black

Contact: Brass (C3604)

Shell: Brass (C3604)

2. Plating:

Contact: Gold 10μ "

Shell: Ni 100μ "

3. Specification:

Current: 2 A

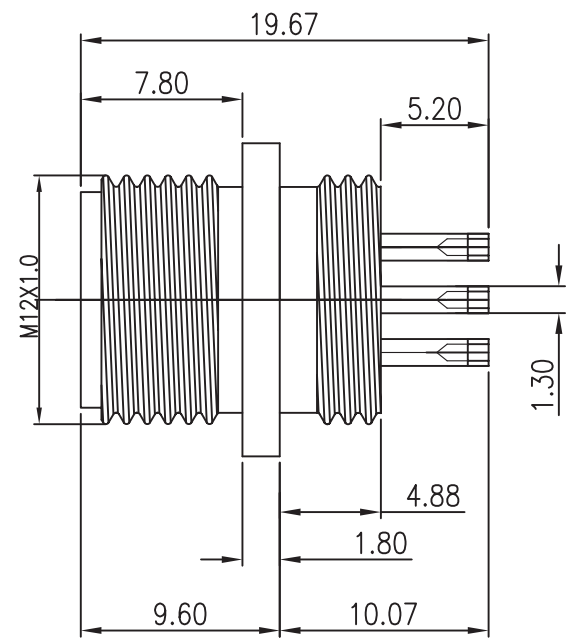
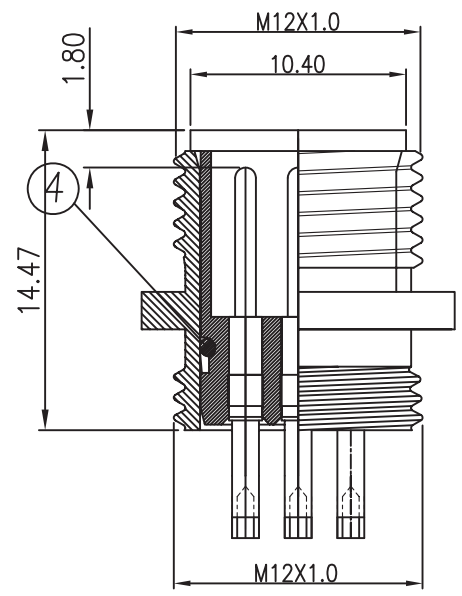
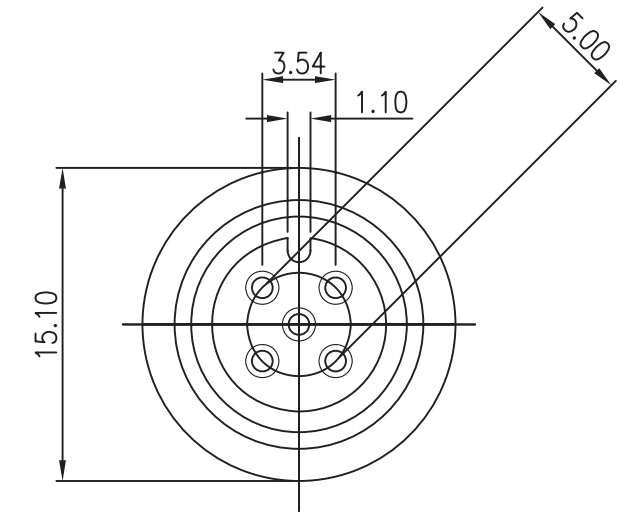
Operating Temp.: $-20^{\circ}\text{C} \dots 105^{\circ}\text{C}$

Insulation Resistance: 1.000 M Ω min.

Dielectric Strength: 500 V AC min.

INELCO circon	UNLESS OTHERWISE SPECIFIED TOLERANCE		SCALE	CHECKED	
	Dimension Range	Tolerance	UNIT	APPROVED Pardal	
	X.X	± 0.20	mm	SIZE A3	SHEET 1/1
	X.XX	± 0.15			
X.XXX	± 0.10	ANGLE	$\pm 1^{\circ}$		
Material/Plated/Notes	NAME		M12, 5 pin, male, solder type		
see note	PART NO.		M125MS1	REV. A	
Tooling No.	DOC. NO.				

**RoHS
COMPLIANT**



1. Material:
 Insulation: Thermoplastic UL94-V0 (1403G6) Black
 Contact: Brass (C3604)
 Shell: Brass (C3604)
2. Plating:
 Contact: Gold 10μ"
 Shell: Ni 100μ"
3. Specification:
 Current: 2 A
 Operating Temp.: -20°C...105°C
 Insulation Resistance: 1.000 MΩ min.
 Dielectric Strength: 500 V AC min.

INELCO circon	UNLESS OTHERWISE SPECIFIED TOLERANCE		SCALE	CHECKED
	Dimension Range	Tolerance	UNIT	APPROVED
	X.X	± 0.20	mm	Pardal
	X.XX	± 0.15		
	X.XXX	± 0.10	SIZE	A3
	ANGLE	± 1°		⊙ SHEET 1/1
Material/Plated/Notes		NAME		
see note		M12, 5 pin, male, PCB solder type		
Tooling No.	PART NO.	M125MSP		REV.
	DOC. NO.			A