

PCB LAYOUT

NOTES:

ELECTRICAL:

- 1. VOLTAGE RATING : 250 VDC
- 2. CURRENT RATING : 1.5AMP
- 3. CONTACT RESISTANCE : 10 MILLIOHMS MAX.
- 4. INSULATION RESISTANCE : 1000 MEGOHMS MIN. @ 500 VDC.
- 5. DIELECTRIC STRENGTH : 1000 VAC 60HZ, 1MIN.

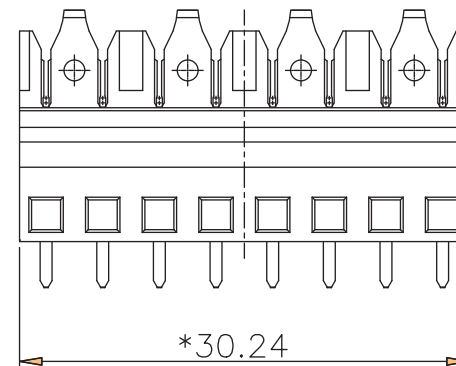
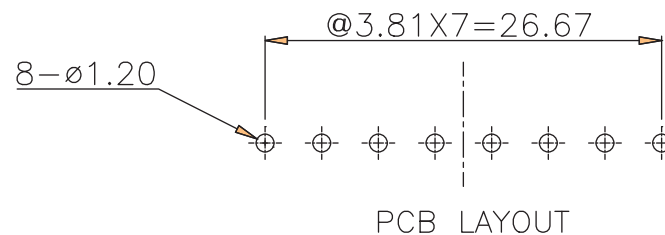
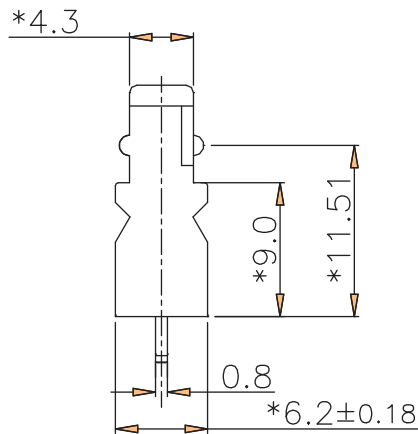
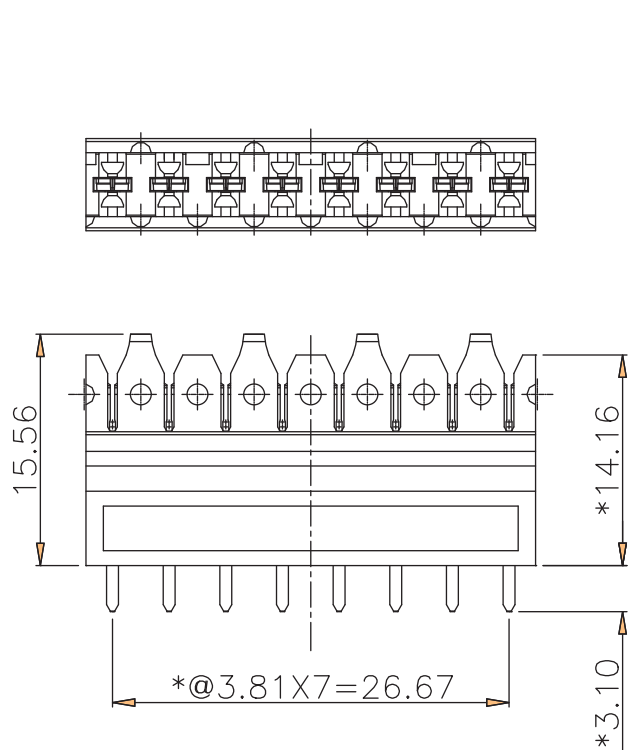
MECHANICAL:

- 1. HOUSING MATERIAL: PC UL94V-0
- 2. CONTACT MATERIAL: PHOSPHOR BRONZE WITH SILVER OR NICKEL OR TIN PLATING
- 3. WIRE : 24~26# AWG

ENVIRONMENTAL:

- 1. STORAGE TEMPERATURE : -20°C TO +80°C AND HUMIDITY UP TO 95%
- 2. OPERATION TEMPERATURE : 0° TO 70°

	UNLESS OTHERWISE SPECIFIED TOLERANCE		SCALE	CHECKED
	Dimension Range	Tolerance	UNIT	APPROVED
	X.X	± 0.20	mm	Pardal
	X.XX	± 0.15		
	X.XXX	± 0.10	SIZE	A3
	ANGLE	± 1°		SHEET 1/1
Material/Plated/Notes	NAME			
see note	110 IDC for 2 Pairs			
Tooling No.	PART NO.	IDC1102		REV.
	DOC. NO.			A



**NOTES:**

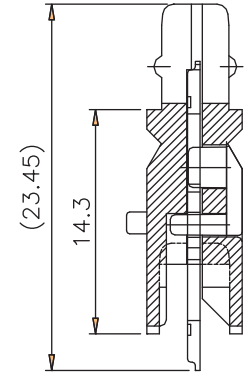
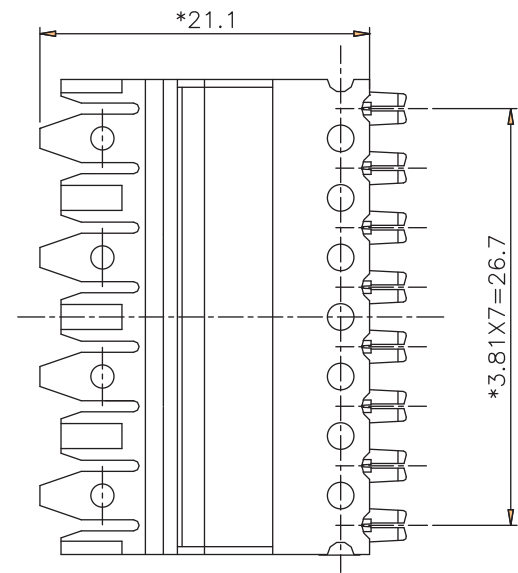
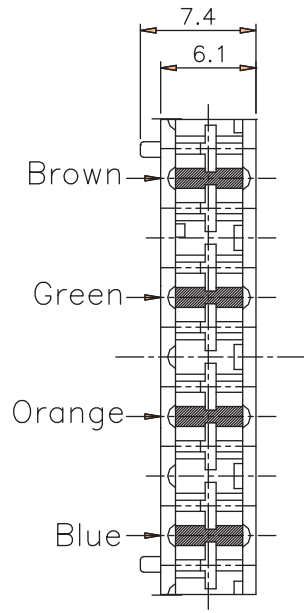
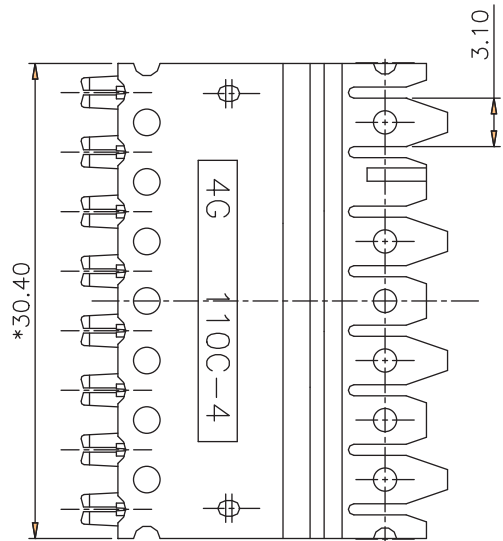
ELECTRICAL:

- 1.VOLTAGE RATING : 250 VDC
- 2.CURRENT RATING : 1.5 AMP
- 3.CONTACT RESISTANCE : 10 MILLIOHMS MAX.
- 4.INSULATION RESISTANCE: 1000 MEGOHMS MIN.@ 500 VDC
- 5.DIELECTRIC STRENGTH : 1000 VAC 60HZ, 1MIN.

MECHNACAL:

- 1.HOUSING MATERIAL : PC UL94V-0
- 2.CONTACT : PHOSPHOR BRONZE WITH NICKEL PLATING
- 3.CABLE SIZE :24~26# AWG

	UNLESS OTHERWISE SPECIFIED TOLERANCE		SCALE	CHECKED
	Dimension Range	Tolerance	UNIT	APPROVED
	X.X	± 0.20	mm	Pardal
	X.XX	± 0.15		
X.XXX	± 0.10	SIZE	A3	
ANGLE	± 1°			SHEET 1/1
Material/Plated/Notes	NAME			
see note	110 IDC for 4 Pairs			
Tooling No.	PART NO.	IDC1104		REV.
	DOC. NO.			A



**NOTES:**

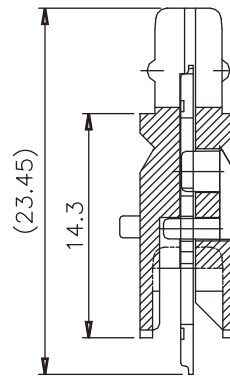
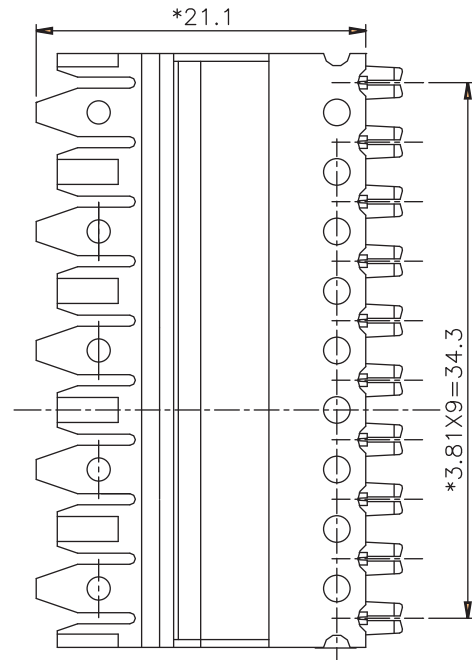
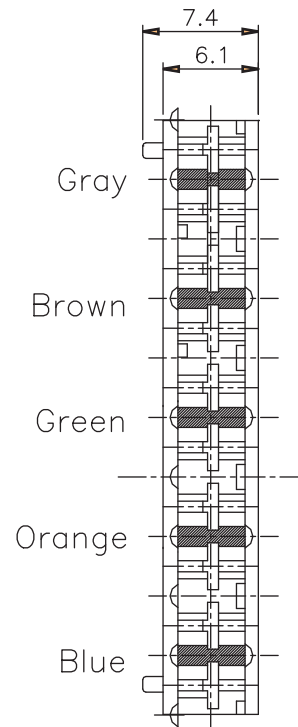
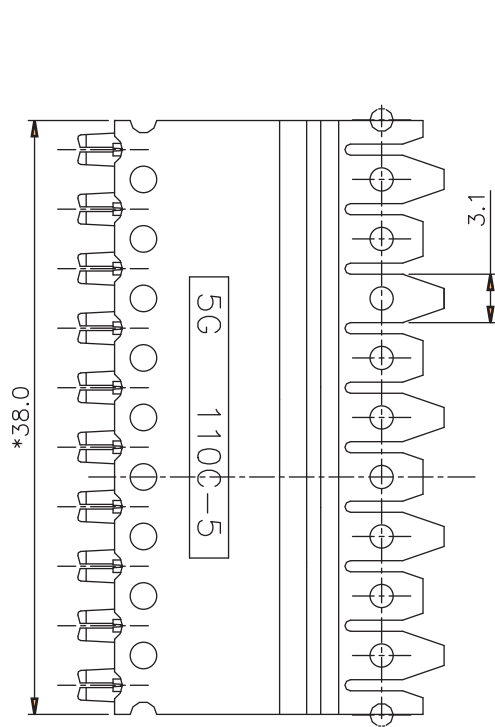
**ELECTRICAL:**

- 1.VOLTAGE RATING : 250 VDC
- 2.CURRENT RATING : 1.5 AMP
- 3.CONTACT RESISTANCE : 10 MILLIOHMS MAX.
- 4.INSULATION RESISTANCE: 1000 MEGOHMS MIN. @ 500 VDC
- 5.DIELECTRIC STRENGTH : 1000 VAC 60Hz, 1MIN.

**MECHANICAL:**

- 1.HOUSING MATERIAL : PC UL94V-0
- 2.CONTACT : PHOSPHOR BRONZE WITH NICKEL OR SILVER PLATING
- 3.CABLE SIZE : SOLID COPPER WIRES UP TO 0.4mm - 0.8mm IN DIA.

	UNLESS OTHERWISE SPECIFIED TOLERANCE		SCALE	CHECKED
	Dimension Range	Tolerance	UNIT	APPROVED
	X.X	± 0.20	mm	Pardal
	X.XX	± 0.15		
X.XXX	± 0.10	SIZE	A3	
ANGLE	± 1°			SHEET 1/1
Material/Plated/Notes		NAME		
see note		110 IDC Block - 4 Pair (inset 'n' pull type)		
Tooling No.	PART NO.	IDCIPT4		REV.
	DOC. NO.			A



**NOTES:**

**ELECTRICAL:**

- 1.VOLTAGE RATING : 250 VDC
- 2.CURRENT RATING : 1.5 AMP
- 3.CONTACT RESISTANCE : 10 MILLIOHMS MAX.
- 4.INSULATION RESISTANCE: 1000 MEGOHMS MIN. @ 500 VDC
- 5.DIELECTRIC STRENGTH : 1000 VAC 60Hz, 1MIN.

**MECHANICAL:**

- 1.HOUSING MATERIAL : PC UL94V-0
- 2.CONTACT : PHOSPHOR BRONZE WITH NICKEL OR SILVER PLATING
- 3.CABLE SIZE : SOLID COPPER WIRES UP TO 0.4mm - 0.8mm IN DIA.

	UNLESS OTHERWISE SPECIFIED TOLERANCE		SCALE	CHECKED	
	Dimension Range	Tolerance	UNIT	APPROVED	
	X.X	± 0.20	mm	Pardal	
	X.XX	± 0.15			
X.XXX	± 0.10	SIZE	A3	SHEET	1/1
ANGLE	± 1°				
Material/Plated/Notes	NAME		110 IDC Block - 5 Pair (inset 'n' pull type)		
see note	PART NO.	IDCIPT5	REV.	A	
Tooling No.	DOC. NO.				