

Unit
MM

Scale SCALE

Position

Material: PBT (ivory) UL94V-0

Date	Name
DATE	NAME
Drawn	
Check.	
Appr.	

UNLESS OTHERWISE SPECIFIED TOLERANCE	
Dimension Range	Tolerance
X.X	± 0.20
X.XX	± 0.15
X.XXX	± 0.10
ANGLE	± 1°

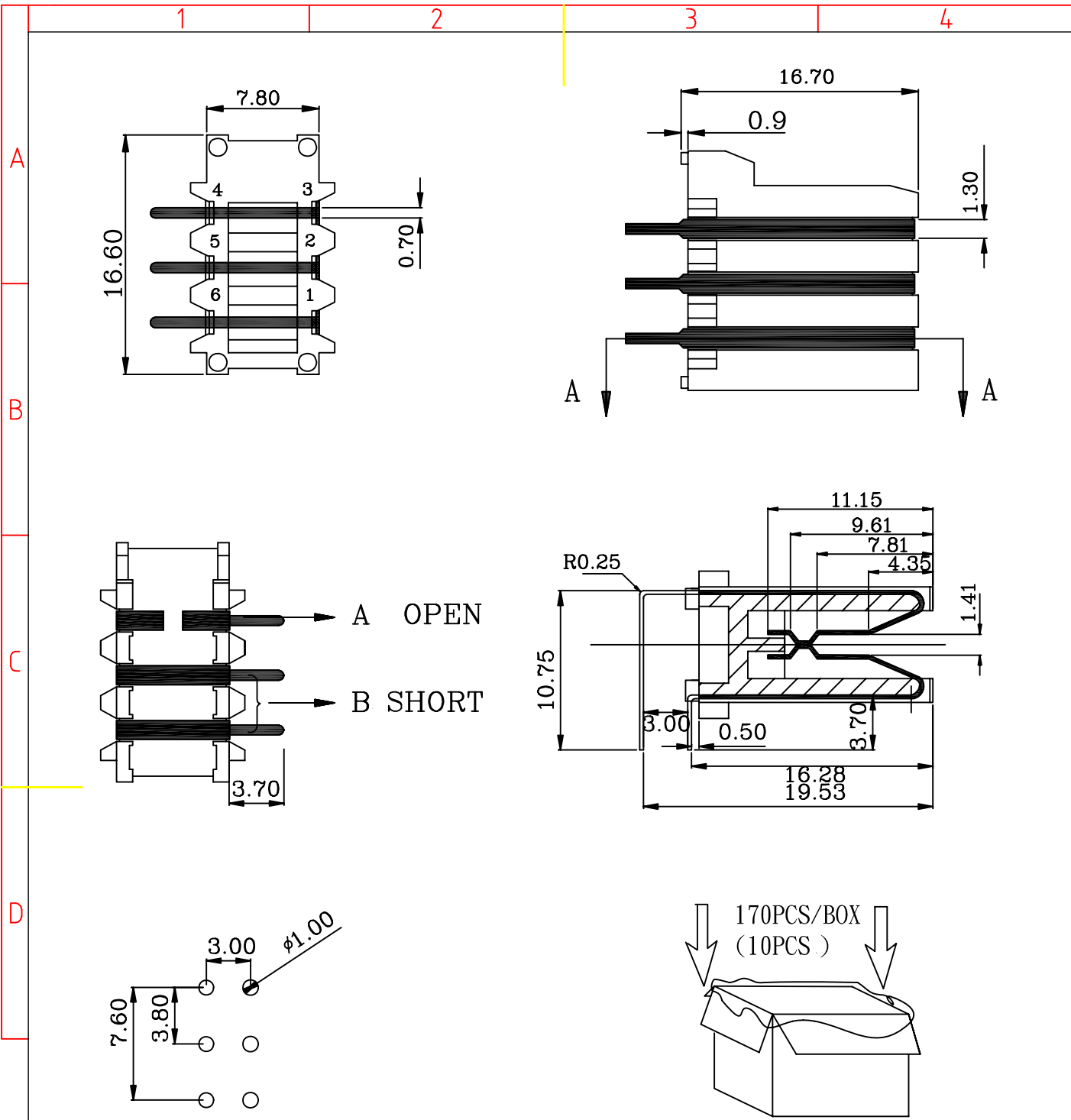
TITLE

TAE Jack 6 pin

Part No.: TAEJ6A

Sheet

Rev.	Modifications	Date	Name	Drawing no.
------	---------------	------	------	-------------



Unit
MM

Scale SCALE

Position

Material: PBT (ivory) UL94V-0

Date	Name
Drawn DATE	NAME
Check.	
Appr.	

UNLESS OTHERWISE SPECIFIED TOLERANCE	
Dimension Range	Tolerance
X.X	± 0.20
X.XX	± 0.15
X.XXX	± 0.10
ANGLE	± 1°

TITLE

TAE Jack 6 pin

Part No.: TAEJ6A

Sheet

Rev.	Modifications	Date	Name	Drawing no.
------	---------------	------	------	-------------