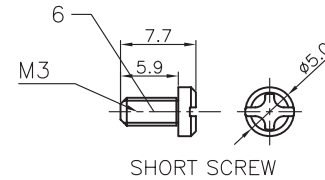
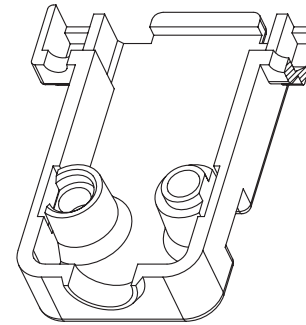
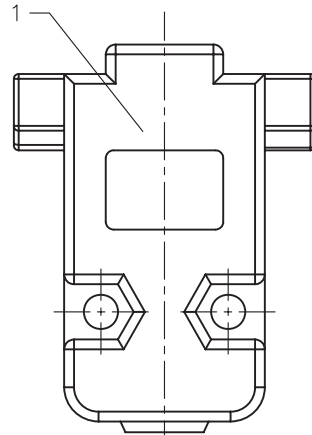
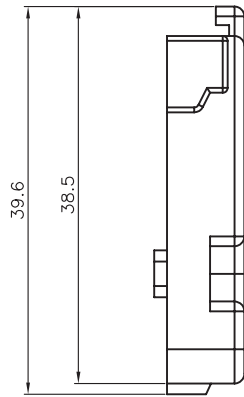
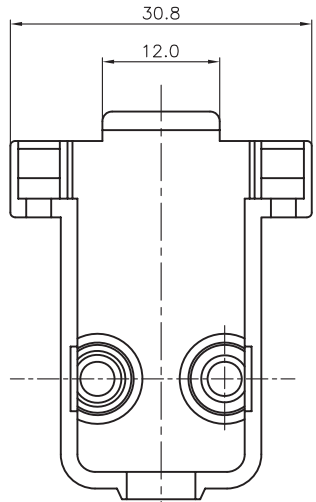
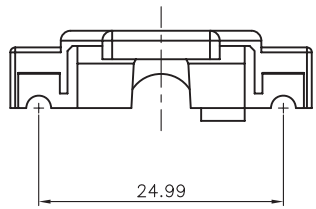


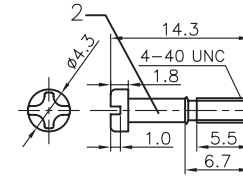
BOM LIST			
ITEM	PART NAME	Q'ty	NOTES
1	PLASTIC HOOD	2	ABS
2	2.1 LONG BOLT	2	#4-40
	2.2 SHORT BOLT	2	#4-40
3	NUT	2	M3
4	LONG SCREW	2	M3
5	SMALL WASHER	2	
6	SHORT SCREW	2	M3
7	7.1 METAL WASHER	2	M3
	7.2 PLASTIC-1 WASHER	2	ABS
	7.3 PLASTIC-2 WASHER	2	ABS

1. Hardwares are all Nickel plated.  
2. PART NUMBER CODE:

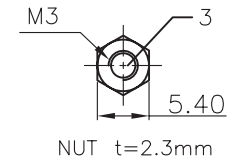
09 X X X X X  
 Washer type  
 1: Metal  
 2: Plastic-1(Lock type)  
 3: Plastic-2(Screw type)  
 Bolt type  
 L: Long  
 S: Short  
 Packing type  
 1: Mix packing  
 2: Separation packing  
 Cover Material  
 P: Plastic(ABS)  
 Cover Color  
 A: Gray  
 B: Black  
 V: Ivory  
 Position  
 09: 9pin



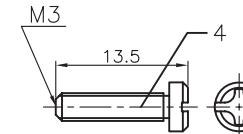
SHORT SCREW



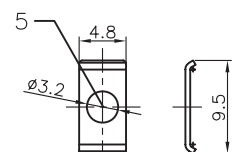
Short BOLT



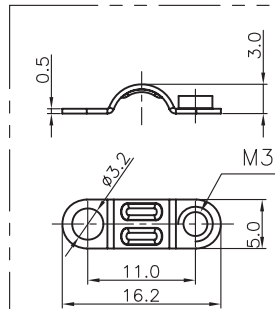
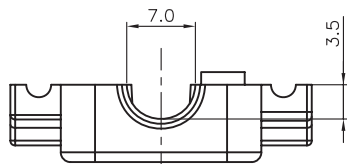
NUT t=2.3mm



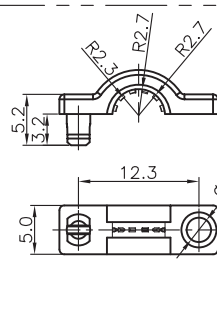
LONG SCREW



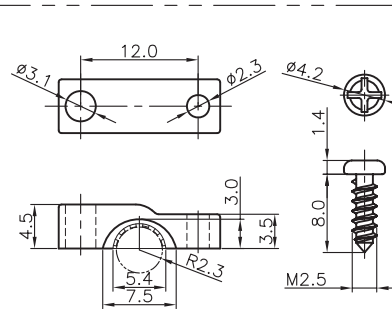
SMALL WASHER



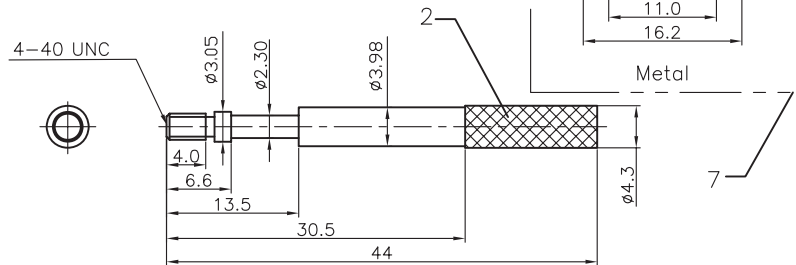
Metal



Plastic-1



Plastic-2



Long BOLT

GENERAL TOLERANCE	ANGLE TOLERANCE
X. ±0.60	X. ±5°
.X ±0.38	.X ±3°
.XX ±0.25	.XX ±2°

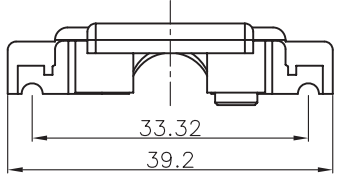
PROJECTION	TITLE
UNITS	mm
SHEET SIZE	A4

PROJECTION	TITLE
UNITS	mm
SHEET SIZE	A4

TITLE	
D-SUB 9pin Hood	
SERIES	DSUBH09XXXXX

DRAWING TYPE	CUSTOMER
SCALE	1:1
DRAWING NO.	SHEET 1 OF 1

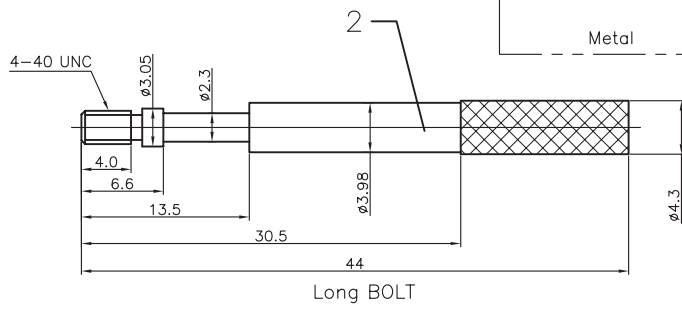
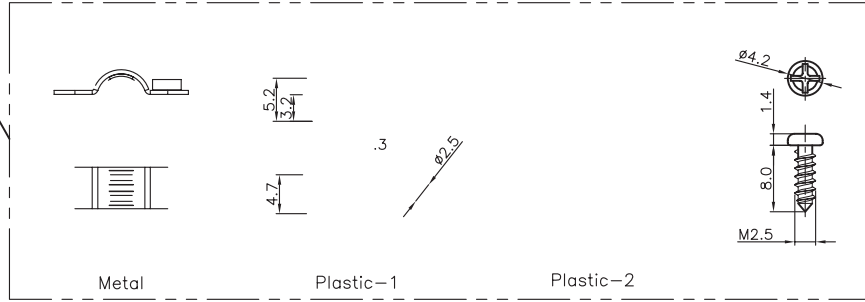
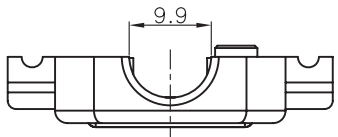
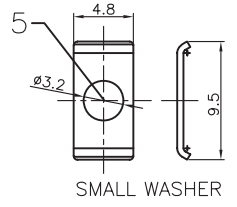
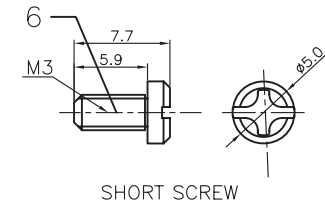
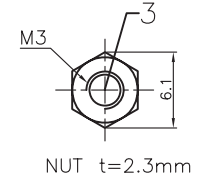
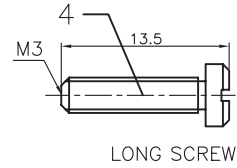
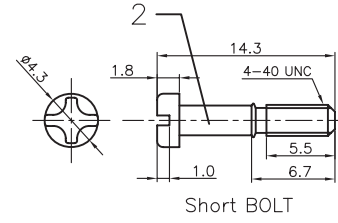
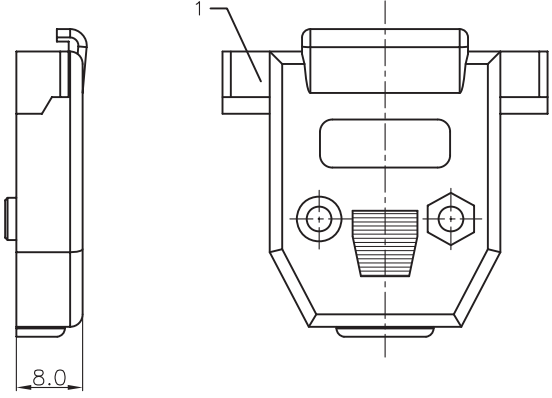
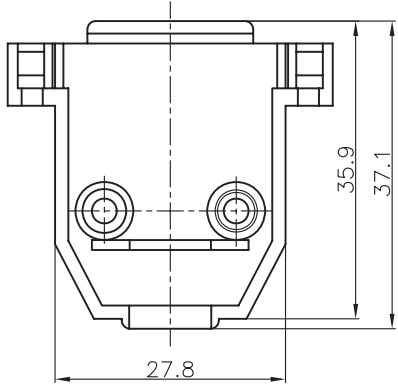
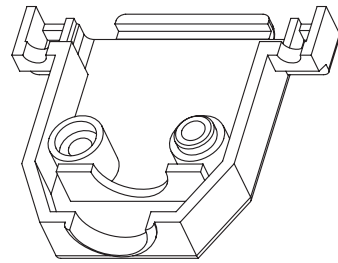




BOM LIST			
ITEM	PART NAME	Q'ty	NOTES
1	PLASTIC HOOD	2	ABS
2	2.1 LONG BOLT	2	#4-40
	2.2 SHORT BOLT	2	#4-40
3	NUT	2	M3
4	LONG SCREW	2	M3
5	SMALL WASHER	2	
6	SHORT SCREW	2	M3
7	7.1 METAL WASHER	2	M3
	7.2 PLASTIC-1 WASHER	2	ABS
	7.3 PLASTIC-2 WASHER	2	ABS

NOTES:  
 1. Hardwares are all Nickel plated.  
 2. PART NUMBER CODE:

15 X X X X X  
 Washer type  
 1: Metal  
 2: Plastic-1(Lock type)  
 3: Plastic-2(Screw type)  
 Bolt type  
 L: Long  
 S: Short  
 Packing type  
 1: Mix packing  
 2: Separation packing  
 Cover Material  
 P: Plastic(ABS)  
 Cover Color  
 A: Gray  
 B: Black  
 V: Ivory  
 Position  
 15: 15pin



GENERAL TOLERANCE	ANGLE TOLERANCE
X. ±0.60	X. ±5°
.X ±0.38	.X ±3°
.XX ±0.25	.XX ±2°

PROJECTION	TITLE
mm	D-SUB 15pin Hood
A4	SERIES DSUBH15XXXXX

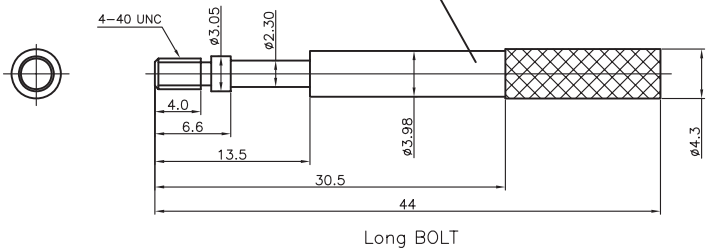
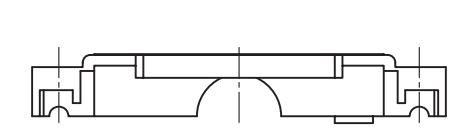
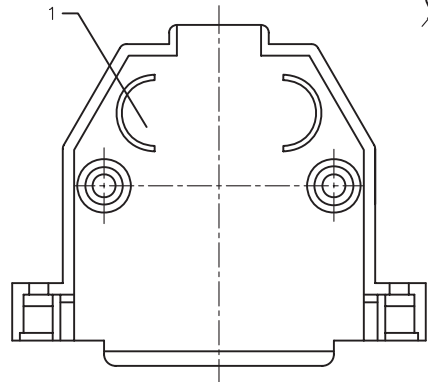
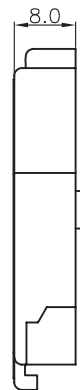
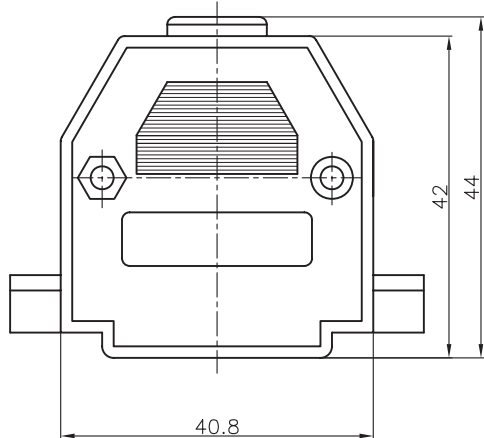
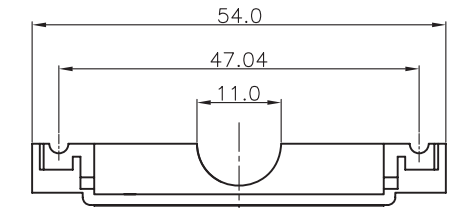
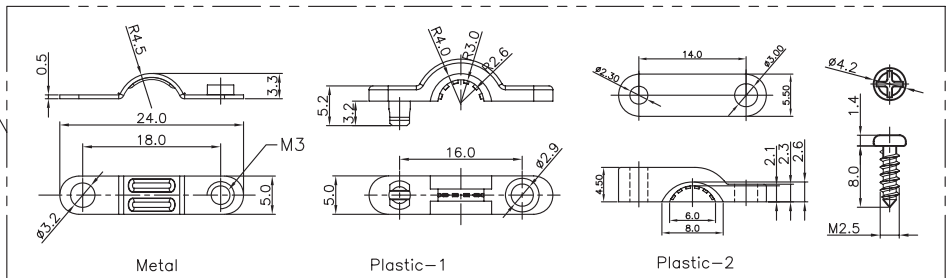
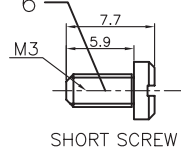
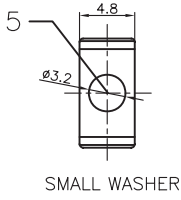
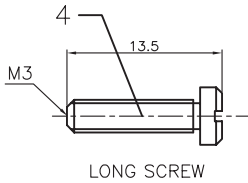
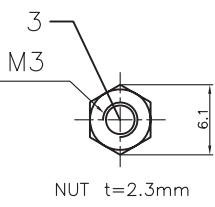
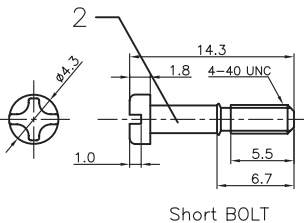
DRAWING TYPE	CUSTOMER
SCALE	1:1 SHEET 1 OF 1
DRAWING NO.	



BOM LIST			
ITEM	PART NAME	Q'ty	NOTES
1	PLASTIC HOOD	2	ABS
2	2.1 LONG BOLT	2	#4-40
	2.2 SHORT BOLT	2	#4-40
3	NUT	2	M3
4	LONG SCREW	2	M3
5	SMALL WASHER	2	
7	7.1 METAL WASHER	2	M3
	7.2 PLASTIC-1 WASHER	2	ABS
	7.3 PLASTIC-2 WASHER	2	ABS

NOTES:  
 1. Hardwares are all Nickel plated.  
 2. PART NUMBER CODE:

25 X X X X X  
 Washer type  
 1: Metal  
 2: Plastic-1(Lock type)  
 3: Plastic-2(Screw type)  
 Bolt type  
 L: Long  
 S: Short  
 Packing type  
 1: Mix packing  
 2: Separation packing  
 Cover Material  
 P: Plastic(ABS)  
 Cover Color  
 A: Gray  
 B: Black  
 V: Ivory  
 Position  
 25: 25pin

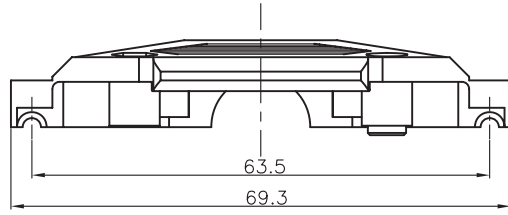


GENERAL TOLERANCE	ANGLE TOLERANCE
X. ±0.60	X. ±5°
.X ±0.38	.X ±3°
.XX ±0.25	.XX ±2°

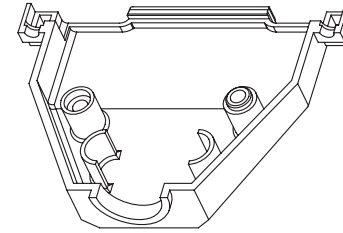
PROJECTION	TITLE
	D-SUB 25pin Hood
UNITS	mm
SHEET SIZE	A4
SERIES	DSUBH25XXXX

DRAWING TYPE	CUSTOMER
SCALE	1:1
DRAWING NO.	SHEET 1 OF 1





BOM LIST			
ITEM	PART NAME	Q'ty	NOTES
1	PLASTIC HOOD	2	ABS
2	LONG BOLT	2	#4-40
	SHORT BOLT	2	#4-40
3	NUT	2	M3
4	LONG SCREW	2	M3
5	SMALL WASHER	2	
6	SHORT SCREW	2	M3
7	7.1 METAL WASHER	2	M3
	7.2 PLASTIC-1 WASHER	2	ABS
	7.3 PLASTIC-2 WASHER	2	ABS

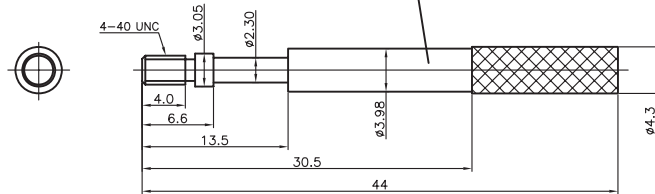
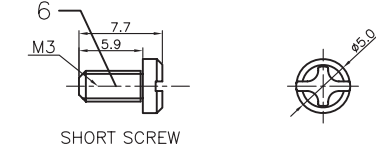
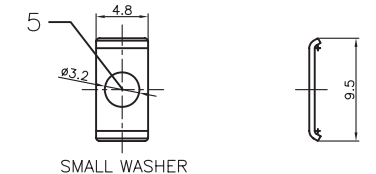
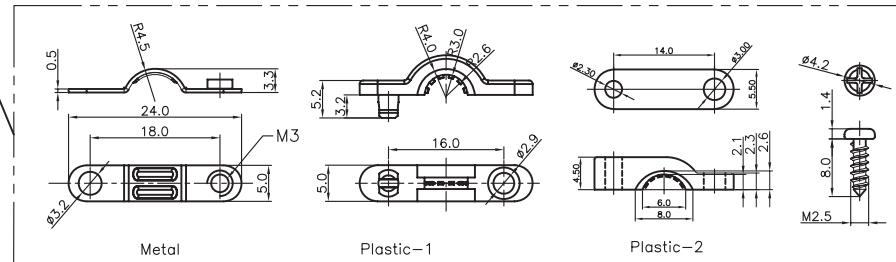
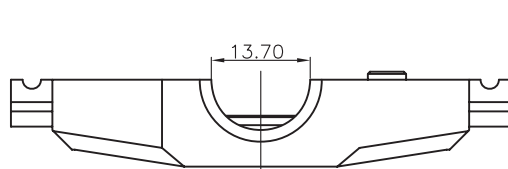
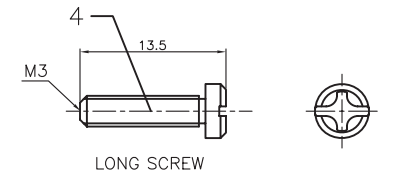
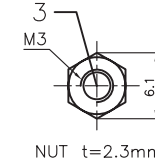
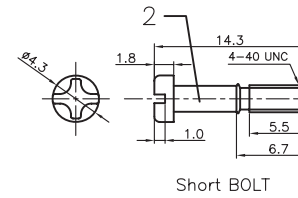
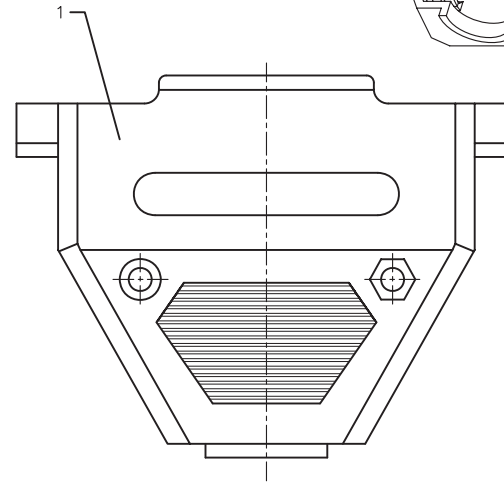
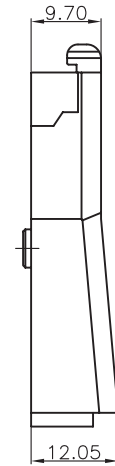
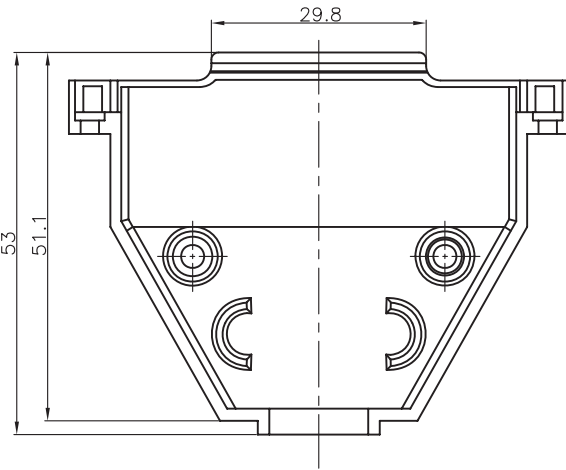


NOTES:

1. Hardwares are all Nickel plated.
2. PART NUMBER CODE:

- 37 X X X X X

- Washer type
- 1: Metal
- 2: Plastic-1 (Lock type)
- 3: Plastic-2 (Screw type)
- Bolt type
- L: Long
- S: Short
- Packing type
- 1: Mix packing
- 2: Separation packing
- Cover Material
- P: Plastic (ABS)
- Cover Color
- A: Gray
- B: Black
- V: Ivory
- Position
- 37: 37pin



Long BOLT

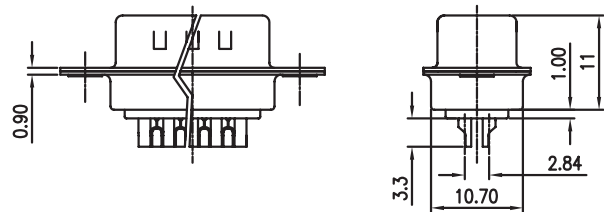
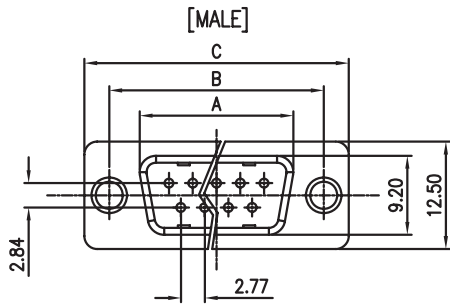
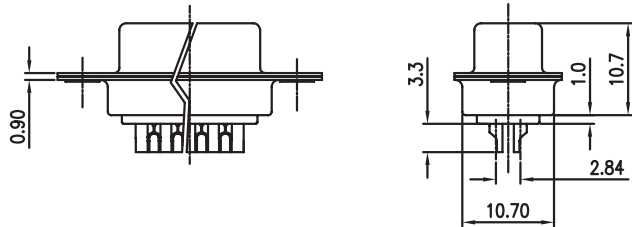
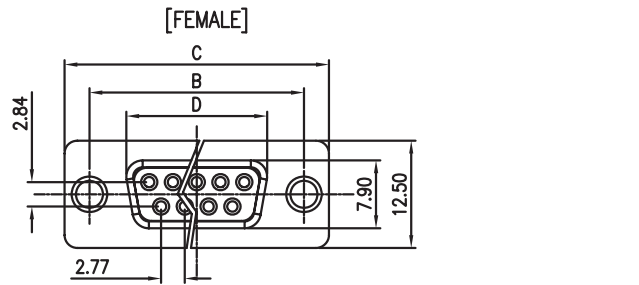
GENERAL TOLERANCE	ANGLE TOLERANCE
X. ±0.60	X. ±5°
.X ±0.38	.X ±3°
.XX ±0.25	.XX ±2°

PROJECTION	TITLE
	D-SUB 37pin Hood
UNITS	mm
SHEET SIZE	A4

SERIES	TITLE
DSUBH37XXXXX	D-SUB 37pin Hood

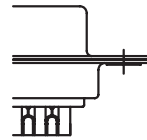
DRAWING TYPE	CUSTOMER
SCALE	1:1
DRAWING NO.	SHEET 1 OF 1



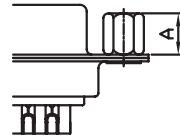


Dimension

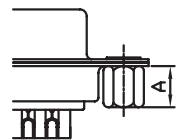
Position	A±0.2	B±0.2	C±0.3	D
9	17.90	24.99	30.80	16.33
15	26.50	33.32	39.14	24.66
25	40.00	47.04	53.04	38.38
37	56.50	63.50	69.32	54.84



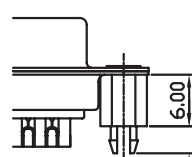
Standard



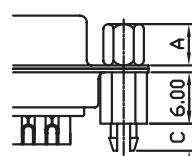
CC TYPE



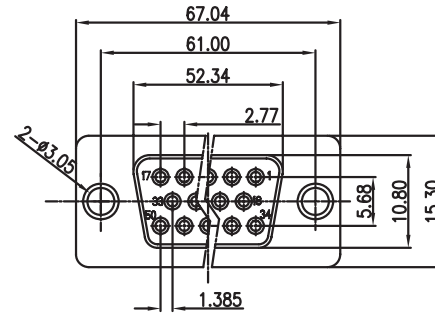
CS TYPE



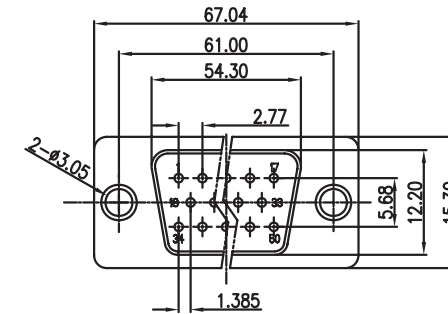
BR TYPE:



BRJ TYPE:



50pin Female Figure



50pin Male Figure

NOTES:

1. ELECTRICAL CHARACTERISTICS:

- 1.1 CONTACT RESISTANCE: 20mΩ Max. INITIAL.
- 1.2 DIELECTRIC WITHSTANDING VOLTAGE: 500V AC(rms) FOR 1 MINUTE.
- 1.3 INSULATION RESISTANCE: 1000MΩ Min.

2. ENVIRONMENT CHARACTERISTICS:

- 2.1 OPERATING TEMPERATURE: 0°C~+85°C.
- 2.2 STORAGE TEMPERATURE: -20°C~+70°C.

3. PART NUMBER: DS1033

4. PRODUCT NUMBER CODE:

- SCREW DIM. A
  - S: Standard(W/O nut)
  - 1: 5.00
  - 2: 3.00
  - 3: 5.20
  - 4: 4.80
  - 5: 5.80
  - 6: 4.00
- SCREW TYPE
  - S: Standard(W/O nut)
  - 1: CC TYPE
  - 2: CS TYPE
  - 3: BR TYPE
  - 4: BRJ TYPE DIM. C: 3~4mm
  - 5: BRJ TYPE DIM. C: 5~6mm
- CONTACT PLATING
  - 8: FULL GOLD FLASH
  - Si: SELECTIVE GOLD FLASH
- SHELL PLATING
  - T: FRONT & BACK SHELL Tin
  - N: FRONT SHELL Nickel, BACK SHELL Tin
- HOUSING COLOR
  - B: BLACK
  - W: WHITE
  - U: BLUE
- CONNECTOR TYPE
  - M: Male
  - F: Female
- No.OF CONTACTS
  - 09: 9pos.
  - 15: 15pos.
  - 25: 25pos.
  - 37: 37pos.

GENERAL TOLERANCE		ANGLE TOLERANCE	
X.	±0.60	X.	±5°
.X	±0.38	.X	±3°
.XX	±0.25	.XX	±2°

PROJECTION	TITLE
UNITS	mm
SHEET SIZE	A4
DSUB solder connector	
SERIES DSUBCSXXXXXXXX	

DRAWING TYPE	CUSTOMER		
SCALE	1:1	SHEET	1 OF 1
DRAWING NO.			

